

**IF YOU ARE EXPERIENCING TROUBLE WITH THIS PRODUCT,
OR ARE MISSING PARTS, PLEASE CALL 800-954-3310 FOR ASSISTANCE.
DO NOT RETURN TO STORE.**



RAPIDAIR—COMPRESSED AIR PIPING SYSTEM INSTALLATION INSTRUCTIONS

PLANNING/LAYOUT

Before beginning the installation, you will need to decide on which method you will be installing the air line. The air line can be installed inside the wall or mounted to the wall surface. All aluminum blocks included with your RapidAir kit are ported for both methods.

In either case, create a plan as to the location of the air compressor and where you are most likely to use compressed air. On the plan, locate outlets, tees, and elbows as this will determine quantity of components and length of air line needed.

It is best to keep air tools that require large amounts of air as close to the air compressor as possible to minimize pressure/flow drop.

For in wall installation, always pressure test the system before closing up walls.

ASSEMBLY OF THREADED COMPONENTS

Assemble all NPT threads with two wraps of Thread tape and then pipe paste/sealant which prevents thread galling.

RAPIDAIR PUSH FITTINGS

- To install tubing into fittings cut tubing squarely using supplied cutter.
- Insert tubing into fitting until it bottoms, a slight twisting motion will ease insertion.
- Pull on tubing to verify it is properly seated in fitting.
- To disassemble, simply push the release button against the body and remove tubing.
- For re-insertion, cut off marred end of tubing and repeat process.
- **Tubing must be inserted $\frac{3}{4}$ " into fitting to seal properly.**

RAPIDAIR TUBING

Rapidair tubing will expand and contract slightly with changes in temperatures. For the in-wall system allow slack between studs/fittings. For surface mount, use wall clips to allow for expansion/contraction. Before installation, unroll the tubing and allow it relieve for several hours, putting it in sunlight helps this process.

Only cut tubing with the supplied cutter. Tools such as side cutters leave a jagged edge which does not allow the tubing to seal properly in the fitting.

TOOLS/SUPPLIES LIST

Workbench vise	$\frac{5}{16}$ " Allen wrench	Tape measure
Open end box wrenches	Phillips screwdriver	Pipe sealant for threads

- Aluminum block mounting holes use #10 screws
- Fitting mounting holes use #6 screws
- $\frac{1}{2}$ " RapidAir wall mount clips for tubing

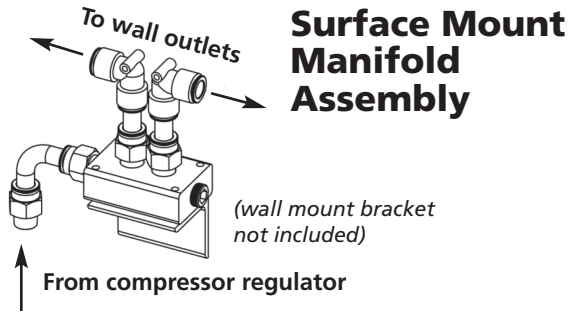
TROUBLESHOOTING

If any push fittings are leaking, make sure the tubing is pushed into the fitting $\frac{3}{4}$ ".

Although the fitting teeth may hold the tubing in place, the tubing may not be pushed into the seal area.

As a reference, mark the tubing with a marker $\frac{3}{4}$ " from the end and re-insert until it fully bottoms out in the fitting.

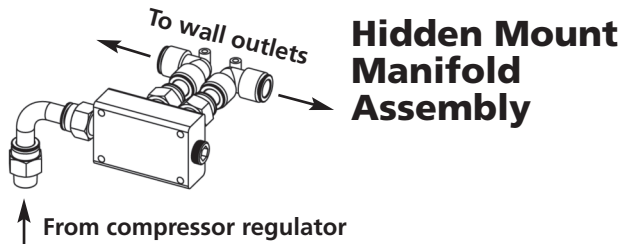
Compressor Manifold



Surface Mount Manifold Assembly

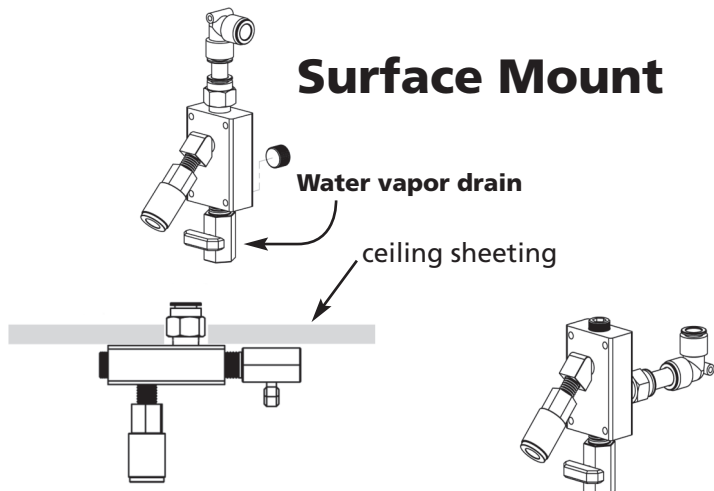
90200 Compressor Manifold Kit

- (1) 90220 Aluminum Manifold Block
- (4) 50100 3/8 NPT Straight
- (2) 50300 Union Elbow
- (1) 3/8 NPT Brass Plug



Hidden Mount Manifold Assembly

Compressed Air Outlet



Surface Mount

90100 Compressed Air Outlet

- (1) 90120 Aluminum Outlet Block
- (1) 50100 3/8 NPT Straight
- (1) 50300 Union Elbow
- (1) 50120 Hand Valve
- (1) 50125 1/4 NPT Brass Nipple
- (1) 50130 1/4 NPT Brass 45 degree
- (1) 50135 3/8 NPT Brass Plug

*Quick coupler sold separately

Ceiling Mount

Hidden Mount

WARNINGS

- Regulate system pressure to a maximum of **150 psi**.
- Check local building codes before installation.
- Compressed air is dangerous if not used properly.
- Do not point compressed air source at any part of your body or at any person.
- Always use eye protection when using compressed air.
- Turn off air compressor when not in use.
- **Warning:** This product can expose you to chemicals including lead, which is known to the State of California to cause cancer. For more information, go to www.P65Warnings.ca.gov.

Wash hands after handling.

CONTAINS LEAD:

MAY BE HARMFUL IF EATEN OR CHEWED.
MAY GENERATE DUST CONTAINING LEAD.
KEEP OUT OF THE REACH OF CHILDREN.

Engineered Specialties, LLC • Auburndale, Wisconsin USA • 800-954-3310
For more installation tips and warranty information, please visit www.rapidairproducts.com